

# 32K x 8 Static RAM

## Features

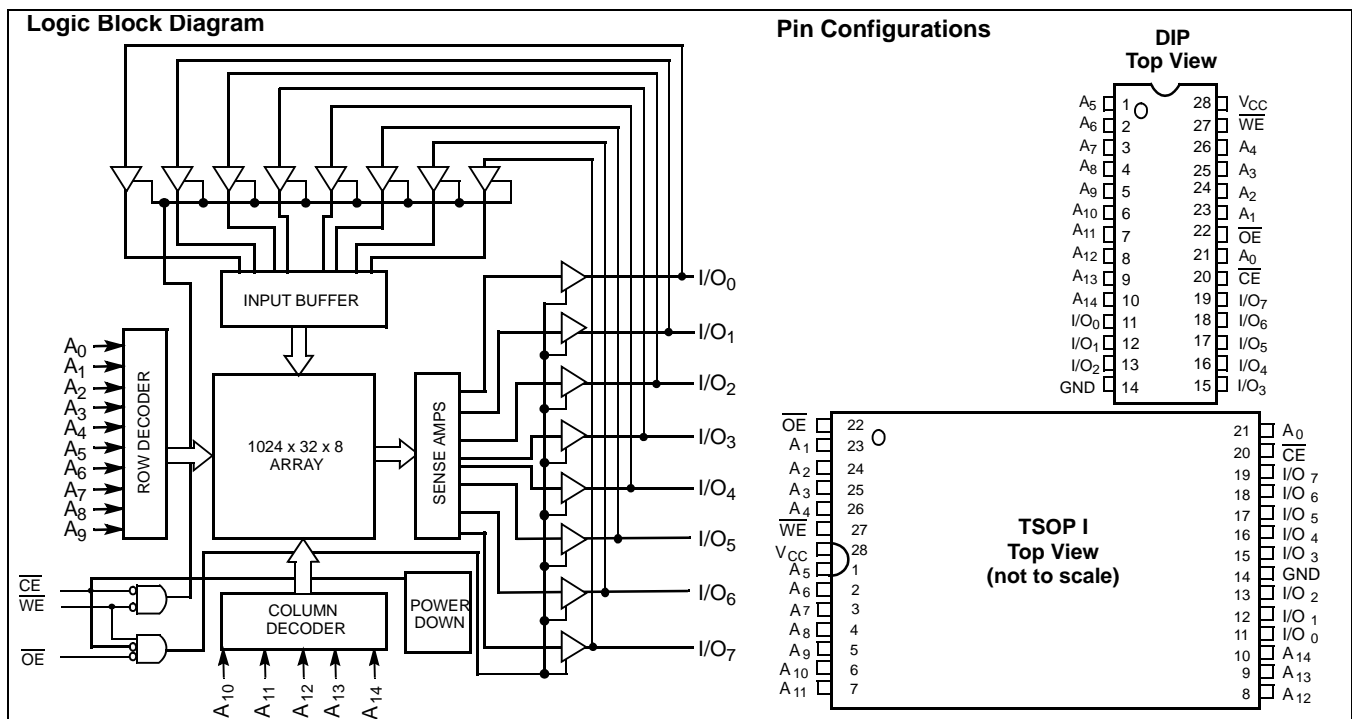
- **High speed**
  - 12 ns
- **Fast  $t_{DOE}$**
- **CMOS for optimum speed/power**
- **Low active power**
  - 467 mW (max, 12 ns “L” version)
- **Low standby power**
  - 0.275 mW (max, “L” version)
- **2V data retention (“L” version only)**
- **Easy memory expansion with  $\overline{CE}$  and  $\overline{OE}$  features**
- **TTL-compatible inputs and outputs**
- **Automatic power-down when deselected**

## Functional Description

The CY7C199N is a high-performance CMOS static RAM organized as 32,768 words by 8 bits. Easy memory expansion is provided by an active LOW Chip Enable (CE) and active LOW Output Enable (OE) and three-state drivers. This device has an automatic power-down feature, reducing the power consumption by 81% when deselected. The CY7C199NN is in the standard 300-mil-wide DIP, SOJ, and LCC packages.

An active LOW Write Enable signal ( $\overline{WE}$ ) controls the writing/reading operation of the memory. When CE and WE inputs are both LOW, data on the eight data input/output pins ( $I/O_0$  through  $I/O_7$ ) is written into the memory location addressed by the address pins ( $A_0$  through  $A_{14}$ ). Reading the device is accomplished by selecting the device and enabling the outputs, CE and OE active LOW, while WE remains inactive or HIGH. Under these conditions, the contents of the location addressed by the information on address pins are present on the eight data input/output pins.

The input/output pins remain in a high-impedance state unless the chip is selected, outputs are enabled, and Write Enable ( $\overline{WE}$ ) is HIGH. A die coat is used to improve alpha immunity.



## Selection Guide

	-12	-15	-20	-25	-35	-55	Unit
Maximum Access Time	12	15	20	25	35	55	ns
Maximum Operating Current		160	155	150	150	140	mA
	L	90	90	90	80	70	
Maximum CMOS Standby Current		10	10	10	10	10	mA
	L	0.05	0.05	0.05	0.05	0.05	

**Maximum Ratings**

(Above which the useful life may be impaired. For user guidelines, not tested.)

Storage Temperature ..... -65°C to +150°C

Ambient Temperature with Power Applied..... -55°C to +125°C

Supply Voltage to Ground Potential (Pin 28 to Pin 14) ..... -0.5V to +7.0V

DC Voltage Applied to Outputs in High-Z State<sup>[1]</sup> ..... -0.5V to  $V_{CC} + 0.5V$

DC Input Voltage<sup>[1]</sup> ..... -0.5V to  $V_{CC} + 0.5V$

Output Current into Outputs (LOW)..... 20 mA

Static Discharge Voltage..... > 2001V (per MIL-STD-883, Method 3015)

Latch-up Current..... > 200 mA

**Operating Range**

Range	Ambient Temperature <sup>[2]</sup>	$V_{CC}$
Commercial	0°C to +70°C	5V ± 10%
Industrial	-40°C to +85°C	5V ± 10%
Military	-55°C to +125°C	5V ± 10%

**Electrical Characteristics Over the Operating Range <sup>[3]</sup>**

Parameter	Description	Test Conditions	-12		-15		Unit
			Min.	Max.	Min.	Max.	
$V_{OH}$	Output HIGH Voltage	$V_{CC} = \text{Min.}, I_{OH} = -4.0 \text{ mA}$	2.4		2.4		V
$V_{OL}$	Output LOW Voltage	$V_{CC} = \text{Min.}, I_{OL} = 8.0 \text{ mA}$		0.4		0.4	V
$V_{IH}$	Input HIGH Voltage		2.2	$V_{CC} + 0.3V$	2.2	$V_{CC} + 0.3V$	V
$V_{IL}$	Input LOW Voltage		-0.5	0.8	-0.5	0.8	V
$I_{IX}$	Input Load Current	$GND \leq V_I \leq V_{CC}$	-5	+5	-5	+5	µA
$I_{OZ}$	Output Leakage Current	$GND \leq V_O \leq V_{CC}$ , Output Disabled	-5	+5	-5	+5	µA
$I_{CC}$	$V_{CC}$ Operating Supply Current	$V_{CC} = \text{Max.}, I_{OUT} = 0 \text{ mA}, f = f_{MAX} = 1/t_{RC}$	Com'l	160		155	mA
			L	85		100	mA
			Mil			180	mA
$I_{SB1}$	Automatic CE Power-down Current—TTL Inputs	Max. $V_{CC}$ , $\overline{CE} \geq V_{IH}, V_{IN} \geq V_{IH}$ or $V_{IN} \leq V_{IL}, f = f_{MAX}$	Com'l	30		30	mA
			L	5		5	mA
$I_{SB2}$	Automatic CE Power-down Current—CMOS Inputs	Max. $V_{CC}$ , $CE \geq V_{CC} - 0.3V$ , $V_{IN} \geq V_{CC} - 0.3V$ or $V_{IN} \leq 0.3V, f = 0$	Com'l	10		10	mA
			L	0.05		0.05	mA
			Mil			15	mA

**Electrical Characteristics Over the Operating Range<sup>[3]</sup>**

Parameter	Description	Test Conditions	-20		-25		-35		-55		Unit
			Min.	Max.	Min.	Max.	Min.	Max.	Min.	Max.	
$V_{OH}$	Output HIGH Voltage	$V_{CC} = \text{Min.}, I_{OH} = -4.0 \text{ mA}$	2.4		2.4		2.4		2.4		V
$V_{OL}$	Output LOW Voltage	$V_{CC} = \text{Min.}, I_{OL} = 8.0 \text{ mA}$		0.4		0.4		0.4		0.4	V
$V_{IH}$	Input HIGH Voltage		2.2	$V_{CC} + 0.3V$	2.2	$V_{CC} + 0.3V$	2.2	$V_{CC} + 0.3V$	2.2	$V_{CC} + 0.3V$	V
$V_{IL}$	Input LOW Voltage		-0.5	0.8	-0.5	0.8	-0.5	0.8	-0.5	0.8	V
$I_{IX}$	Input Load Current	$GND \leq V_I \leq V_{CC}$	-5	+5	-5	+5	-5	+5	-5	+5	µA
$I_{OZ}$	Output Leakage Current	$GND \leq V_I \leq V_{CC}$ , Output Disabled	-5	+5	-5	+5	-5	+5	-5	+5	µA
$I_{CC}$	$V_{CC}$ Operating Supply Current	$V_{CC} = \text{Max.}, I_{OUT} = 0 \text{ mA}, f = f_{MAX} = 1/t_{RC}$	Com'l	150		150		140		140	mA
			L	90		80		70		70	mA
			Mil	170		150		150		150	mA

**Notes:**

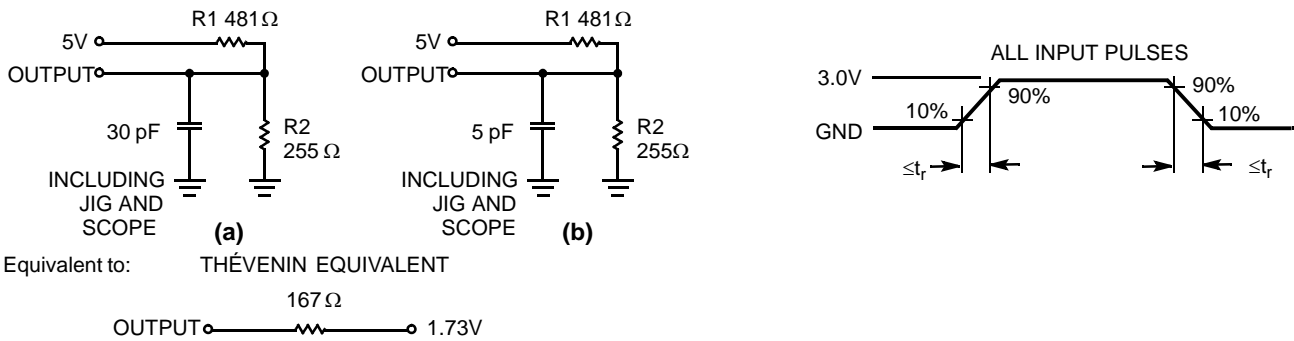
- $V_{IL}$  (min.) = -2.0V for pulse durations of less than 20 ns.
- $T_A$  is the "instant on" case temperature.
- See the last page of this specification for Group A subgroup testing information.

**Electrical Characteristics** Over the Operating Range<sup>[3]</sup>

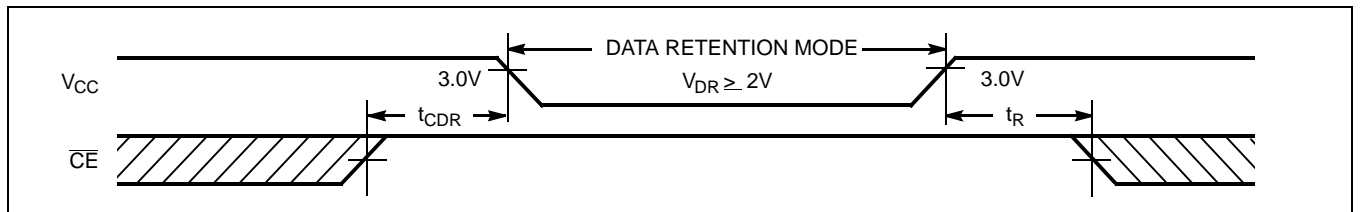
Parameter	Description	Test Conditions	-20		-25		-35		-55		Unit	
			Min.	Max.	Min.	Max.	Min.	Max.	Min.	Max.		
I <sub>SB1</sub>	Automatic CE Power-down Current—TTL Inputs	Max. V <sub>CC</sub> , CE ≥ V <sub>IH</sub> , V <sub>IN</sub> ≥ V <sub>IH</sub> or V <sub>IN</sub> ≤ V <sub>IL</sub> , f = f <sub>MAX</sub>	Com'l		30		30		25		25	mA
			L		5		5		5		5	mA
I <sub>SB2</sub>	Automatic CE Power-down Current—CMOS Inputs	Max. V <sub>CC</sub> , CE ≥ V <sub>CC</sub> - 0.3V, V <sub>IN</sub> ≥ V <sub>CC</sub> - 0.3V or V <sub>IN</sub> ≤ 0.3V, f = 0	Com'l		10		10		10		10	mA
			L		0.05		0.05		0.05		0.05	mA
			Mil		15		15		15		15	mA

**Capacitance**<sup>[4]</sup>

Parameter	Description	Test Conditions	Max.	Unit
C <sub>IN</sub>	Input Capacitance	T <sub>A</sub> = 25°C, f = 1 MHz, V <sub>CC</sub> = 5.0V	8	pF
C <sub>OUT</sub>	Output Capacitance		8	pF

**AC Test Loads and Waveforms**<sup>[5]</sup>

**Data Retention Characteristics** Over the Operating Range (L-version only)

Parameter	Description	Conditions <sup>[6]</sup>	Min.	Max.	Unit
V <sub>DR</sub>	V <sub>CC</sub> for Data Retention		2.0		V
I <sub>CCDR</sub>	Data Retention Current	Com'l			μA
		Com'l L	V <sub>CC</sub> = V <sub>DR</sub> = 2.0V, CE ≥ V <sub>CC</sub> - 0.3V, V <sub>IN</sub> ≥ V <sub>CC</sub> - 0.3V or V <sub>IN</sub> ≤ 0.3V		10
t <sub>CDR</sub> <sup>[4]</sup>	Chip Deselect to Data Retention Time		0		ns
t <sub>R</sub> <sup>[5]</sup>	Operation Recovery Time		200		μs

**Data Retention Waveform**


- Note:
- Tested initially and after any design or process changes that may affect these parameters.
  - t<sub>R</sub> ≤ 3 ns for the -12 and the -15 speeds. t<sub>R</sub> ≤ 5 ns for the -20 and slower speeds
  - No input may exceed V<sub>CC</sub> + 0.5V.

**Switching Characteristics** Over the Operating Range [3, 7]

Parameter	Description	7C199-12		7C199-15		7C199-20		Unit
		Min.	Max.	Min.	Max.	Min.	Max.	
<b>Read Cycle</b>								
$t_{RC}$	Read Cycle Time	12		15		20		ns
$t_{AA}$	Address to Data Valid		12		15		20	ns
$t_{OHA}$	Data Hold from Address Change	3		3		3		ns
$t_{ACE}$	$\overline{CE}$ LOW to Data Valid		12		15		20	ns
$t_{DOE}$	$\overline{OE}$ LOW to Data Valid		5		7		9	ns
$t_{LZOE}$	$\overline{OE}$ LOW to Low-Z <sup>[8]</sup>	0		0		0		ns
$t_{HZOE}$	$\overline{OE}$ HIGH to High-Z <sup>[8, 9]</sup>		5		7		9	ns
$t_{LZCE}$	$\overline{CE}$ LOW to Low-Z <sup>[8]</sup>	3		3		3		ns
$t_{HZCE}$	$\overline{CE}$ HIGH to High-Z <sup>[8,9]</sup>		5		7		9	ns
$t_{PU}$	$\overline{CE}$ LOW to Power-up	0		0		0		ns
$t_{PD}$	$\overline{CE}$ HIGH to Power-down		12		15		20	ns
<b>Write Cycle</b> <sup>[10, 11]</sup>								
$t_{WC}$	Write Cycle Time	12		15		20		ns
$t_{SCE}$	$\overline{CE}$ LOW to Write End	9		10		15		ns
$t_{AW}$	Address Set-up to Write End	9		10		15		ns
$t_{HA}$	Address Hold from Write End	0		0		0		ns
$t_{SA}$	Address Set-up to Write Start	0		0		0		ns
$t_{PWE}$	$\overline{WE}$ Pulse Width	8		9		15		ns
$t_{SD}$	Data Set-up to Write End	8		9		10		ns
$t_{HD}$	Data Hold from Write End	0		0		0		ns
$t_{HZWE}$	$\overline{WE}$ LOW to High-Z <sup>[9]</sup>		7		7		10	ns
$t_{LZWE}$	$\overline{WE}$ HIGH to Low-Z <sup>[8]</sup>	3		3		3		ns

**Switching Characteristics** Over the Operating Range [3, 7]

Parameter	Description	7C199-25		7C199-35		7C199-55		Unit
		Min.	Max.	Min.	Max.	Min.	Max.	
<b>Read Cycle</b>								
$t_{RC}$	Read Cycle Time	25		35		55		ns
$t_{AA}$	Address to Data Valid		25		35		55	ns
$t_{OHA}$	Data Hold from Address Change	3		3		3		ns
$t_{ACE}$	$\overline{CE}$ LOW to Data Valid		25		35		55	ns
$t_{DOE}$	$\overline{OE}$ LOW to Data Valid		10		16		16	ns
$t_{LZOE}$	$\overline{OE}$ LOW to Low-Z <sup>[8]</sup>	0		0		0		ns
$t_{HZOE}$	$\overline{OE}$ HIGH to High-Z <sup>[8, 9]</sup>		11		15		15	ns
$t_{LZCE}$	$\overline{CE}$ LOW to Low-Z <sup>[8]</sup>	3		3		3		ns

**Notes:**

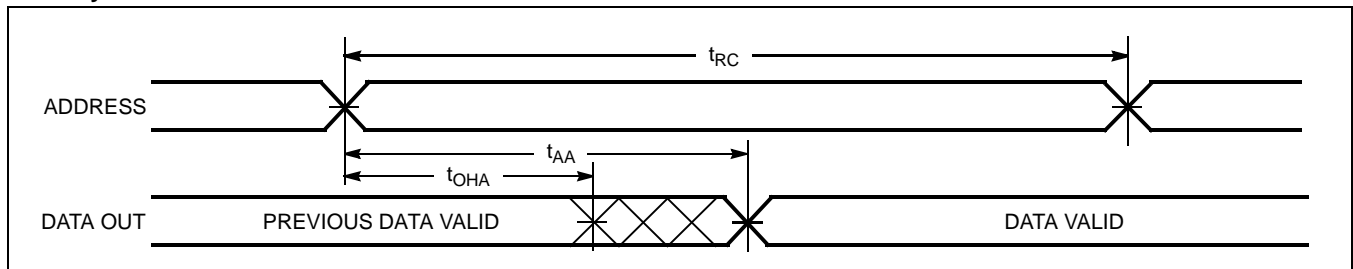
7. Test conditions assume signal transition time of 3 ns or less for -12 and -15 speeds and 5 ns or less for -20 and slower speeds, timing reference levels of 1.5V, input pulse levels of 0 to 3.0V, and output loading of the specified  $I_{OL}/I_{OH}$  and 30-pF load capacitance.
8. At any given temperature and voltage condition,  $t_{HZCE}$  is less than  $t_{LZCE}$ ,  $t_{HZOE}$  is less than  $t_{LZOE}$ , and  $t_{HZWE}$  is less than  $t_{LZWE}$  for any given device.
9.  $t_{HZOE}$ ,  $t_{HZCE}$ , and  $t_{HZWE}$  are specified with  $C_L = 5$  pF as in part (b) of AC Test Loads. Transition is measured  $\pm 500$  mV from steady-state voltage.
10. The internal write time of the memory is defined by the overlap of  $\overline{CE}$  LOW and  $\overline{WE}$  LOW. Both signals must be LOW to initiate a write and either signal can terminate a write by going HIGH. The data input set-up and hold timing should be referenced to the rising edge of the signal that terminates the write.
11. The minimum write cycle time for write cycle #3 ( $\overline{WE}$  controlled,  $\overline{OE}$  LOW) is the sum of  $t_{HZWE}$  and  $t_{SD}$ .

Switching Characteristics Over the Operating Range [3, 7]

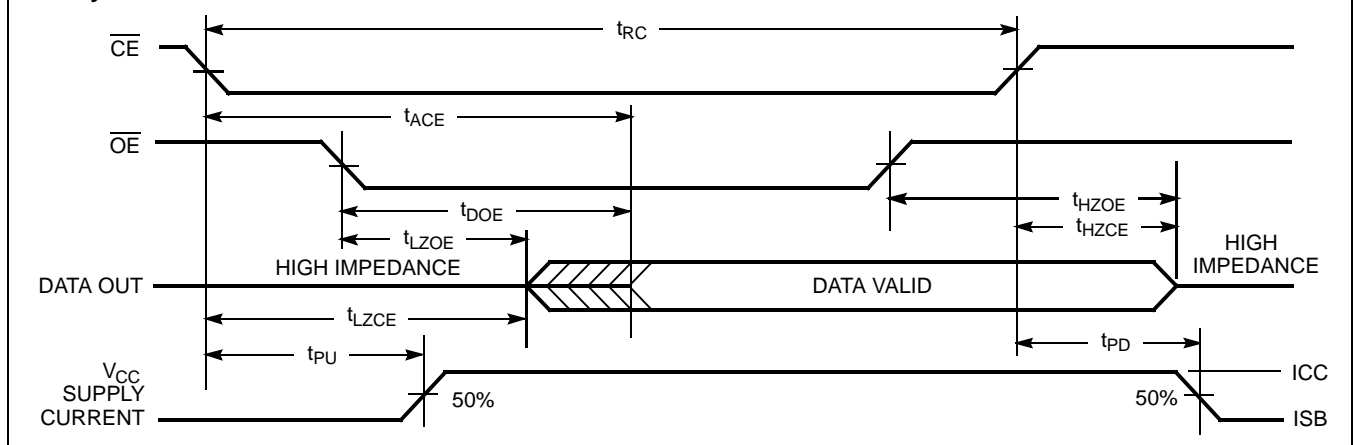
Parameter	Description	7C199-25		7C199-35		7C199-55		Unit
		Min.	Max.	Min.	Max.	Min.	Max.	
$t_{HZCE}$	$\overline{CE}$ HIGH to High-Z <sup>[8, 9]</sup>		11		15		15	ns
$t_{PU}$	$\overline{CE}$ LOW to Power-up	0		0		0		ns
$t_{PD}$	$\overline{CE}$ HIGH to Power-down		20		20		25	ns
<b>Write Cycle<sup>[10,11]</sup></b>								
$t_{WC}$	Write Cycle Time	25		35		55		ns
$t_{SCE}$	$\overline{CE}$ LOW to Write End	18		22		22		ns
$t_{AW}$	Address Set-up to Write End	20		30		40		ns
$t_{HA}$	Address Hold from Write End	0		0		0		ns
$t_{SA}$	Address Set-up to Write Start	0		0		0		ns
$t_{PWE}$	$\overline{WE}$ Pulse Width	18		22		22		ns
$t_{SD}$	Data Set-up to Write End	10		15		15		ns
$t_{HD}$	Data Hold from Write End	0		0		0		ns
$t_{HZWE}$	$\overline{WE}$ LOW to High-Z <sup>[9]</sup>		11		15		15	ns
$t_{LZWE}$	$\overline{WE}$ HIGH to Low-Z <sup>[8]</sup>	3		3		3		ns

Switching Waveforms

Read Cycle No. 1<sup>[12, 13]</sup>

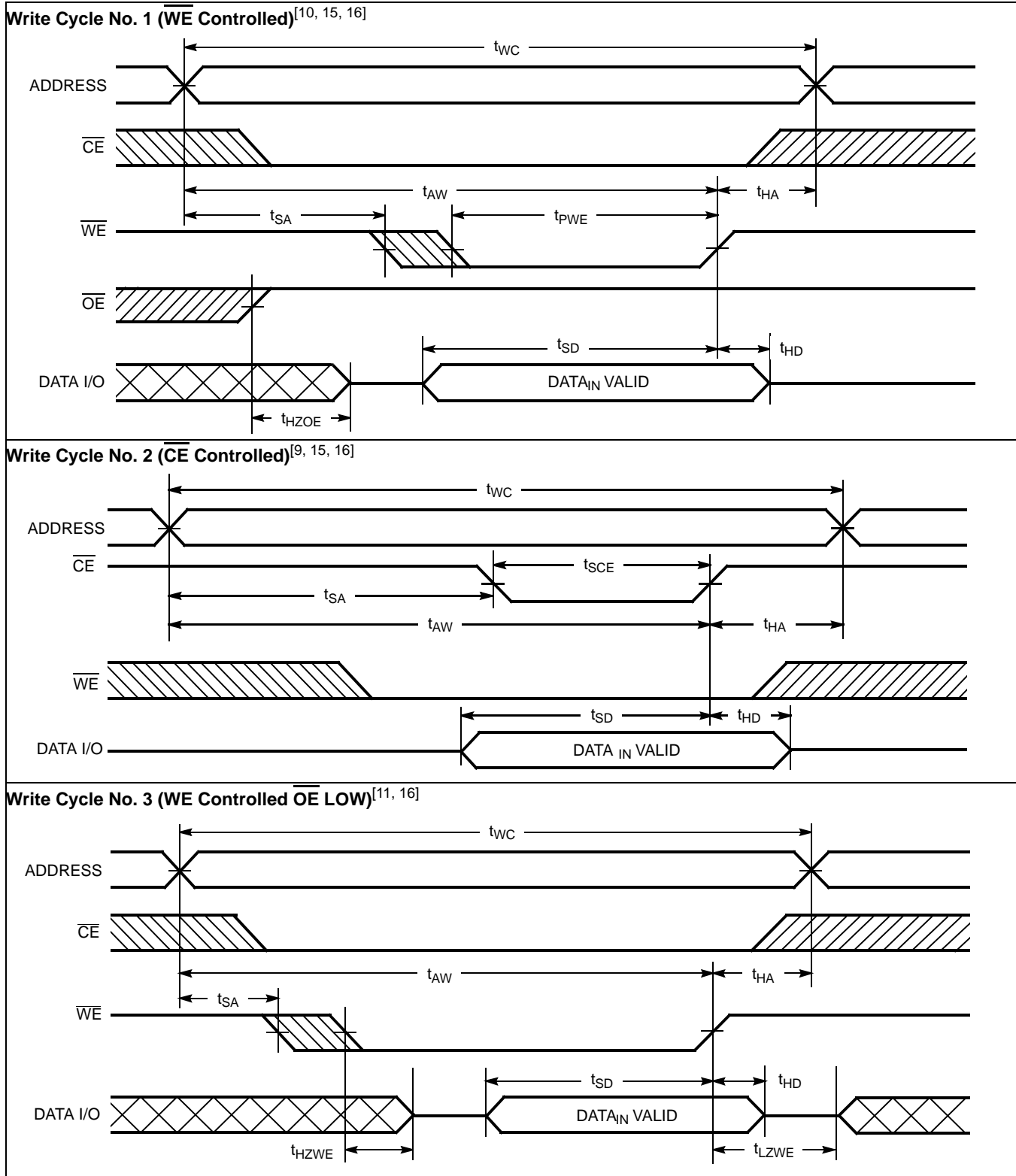


Read Cycle No. 2<sup>[13, 14]</sup>



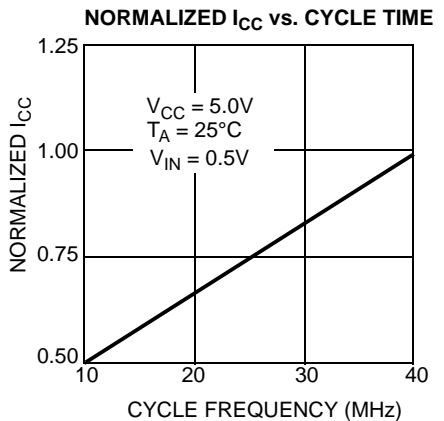
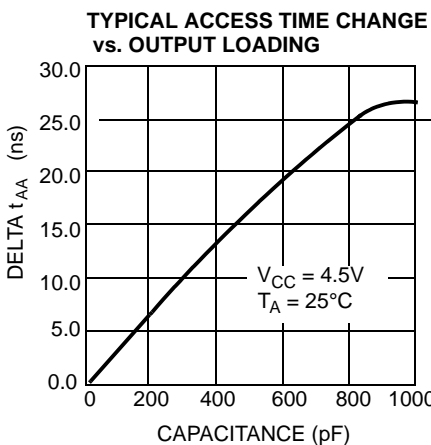
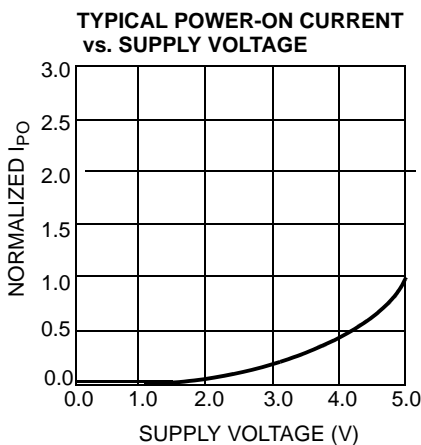
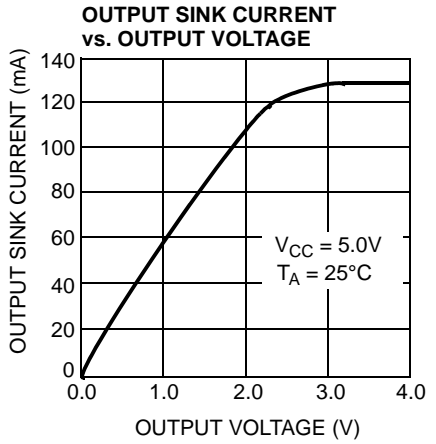
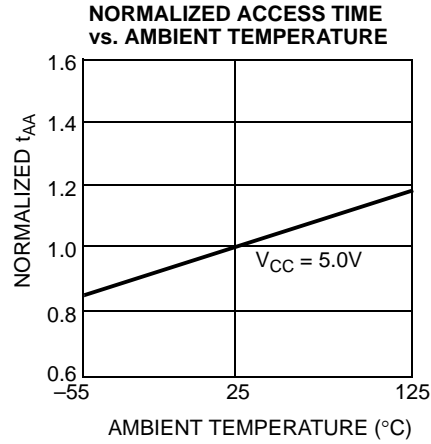
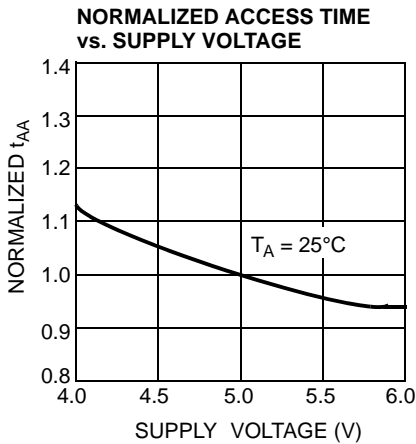
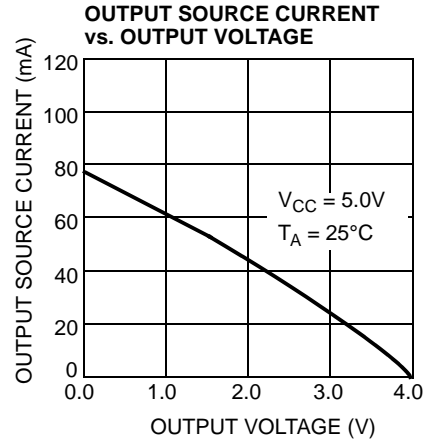
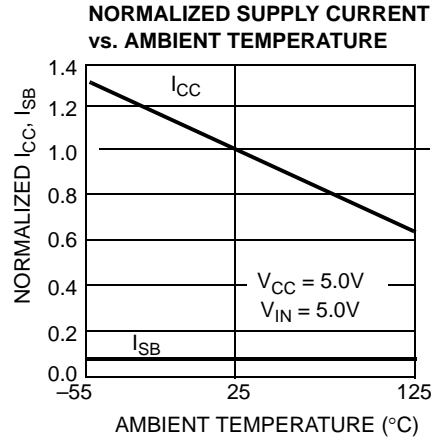
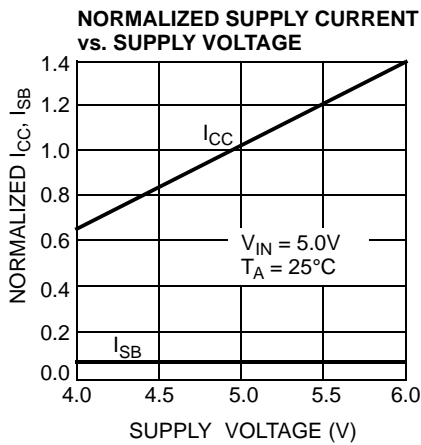
- Notes:
- 12. Device is continuously selected.  $\overline{OE}, \overline{CE} = V_{IL}$ .
  - 13.  $\overline{WE}$  is HIGH for read cycle.
  - 14. Address valid prior to or coincident with  $\overline{CE}$  transition LOW.

Switching Waveforms (continued)



**Notes:**  
 15. Data I/O is high impedance if  $\overline{OE} = V_{IH}$ .  
 16. If  $\overline{CE}$  goes HIGH simultaneously with  $\overline{WE}$  HIGH, the output remains in a high-impedance state.

Typical DC and AC Characteristics



**Truth Table**

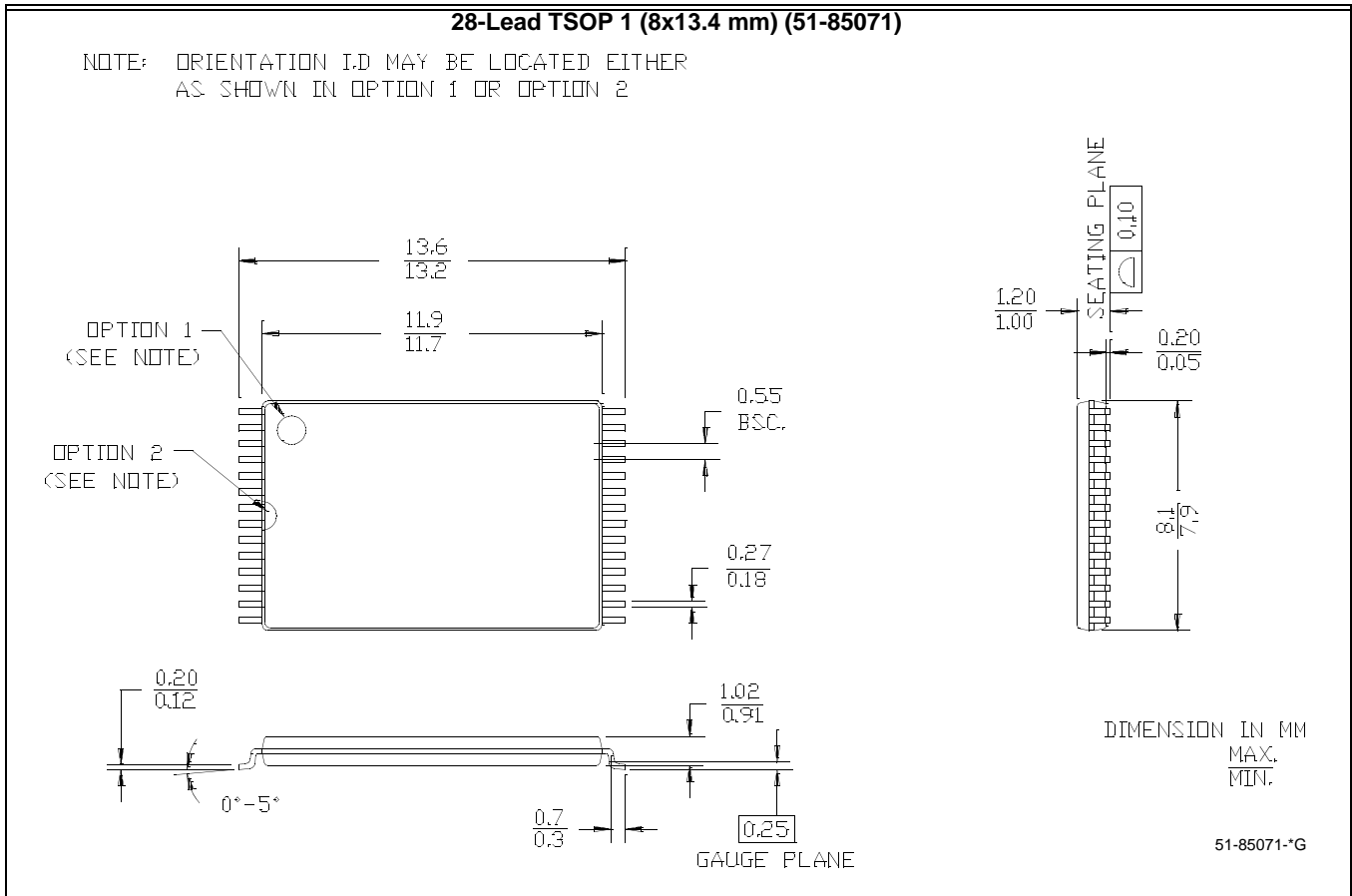
$\overline{CE}$	$\overline{WE}$	$\overline{OE}$	Inputs/Outputs	Mode	Power
H	X	X	High Z	Deselect/Power-down	Standby ( $I_{SB}$ )
L	H	L	Data Out	Read	Active ( $I_{CC}$ )
L	L	X	Data In	Write	Active ( $I_{CC}$ )
L	H	H	High Z	Selected, Output disabled	Active ( $I_{CC}$ )

**Ordering Information**

Speed (ns)	Ordering Code	Package Diagram	Package Type	Operating Range
12	CY7C199N-12ZXC	51-85071	28-Lead TSOP 1 (Pb-free)	Commercial
15	CY7C199N-15ZXC	51-85071	28-Lead TSOP 1 (Pb-free)	Commercial
	CY7C199NL-15ZXC	51-85071	28-Lead TSOP 1 (Pb-free)	
20	CY7C199N-20PXC	51-85014	28-Lead (300-Mil) Molded DIP (Pb-free)	Commercial
	CY7C199N-20ZXC	51-85071	28-Lead TSOP 1 (Pb-free)	
25	CY7C199N-25PXC	51-85014	28-Lead (300-Mil) Molded DIP (Pb-free)	Commercial
35	CY7C199N-35PXC	51-85014	28-Lead (300-Mil) Molded DIP (Pb-free)	
55	CY7C199N-55PXC	51-85014	28-Lead (300-Mil) Molded DIP (Pb-free)	

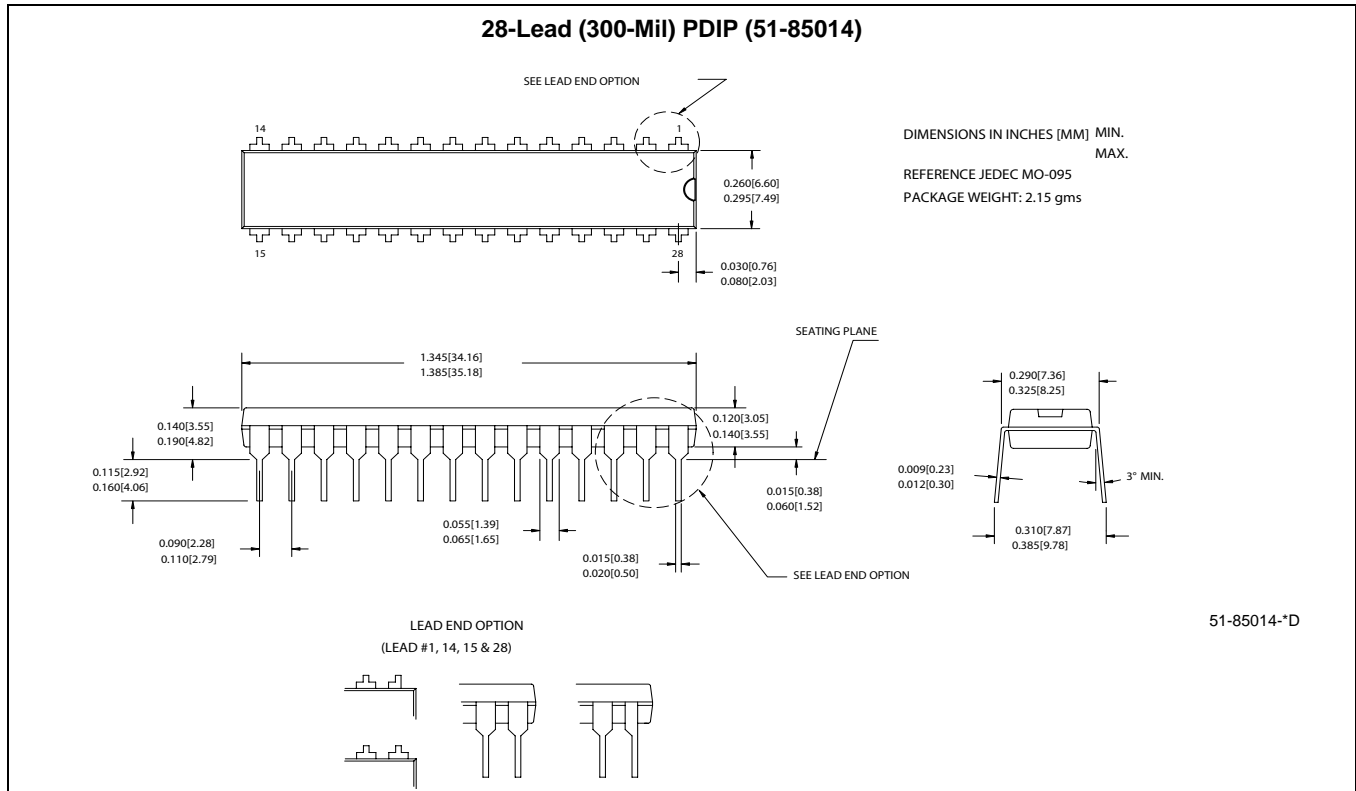
Contact your Local Cypress sales representative for availability of these parts

**Package Diagrams**





**Package Diagrams** (continued)



All products and company names mentioned in this document may be the trademarks of their respective holders.

**Document History Page**

<b>Document Title: CY7C199N 32K x 8 Static RAM</b> <b>Document Number: 001-06493</b>				
<b>REV.</b>	<b>ECN NO.</b>	<b>Issue Date</b>	<b>Orig. of Change</b>	<b>Description of Change</b>
**	423877	See ECN	NXR	New Data Sheet